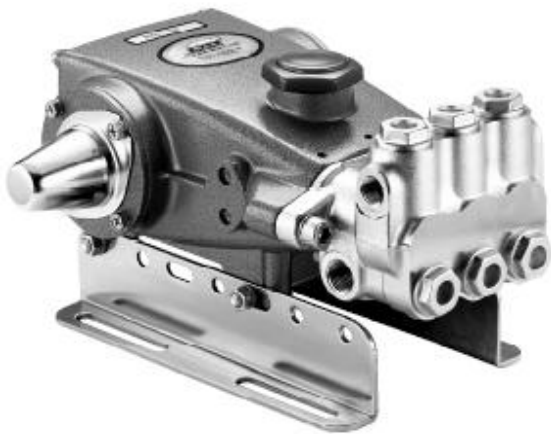




Technical specifications and instructions



5 Frame Plunger pump

Standard models

310, 340, 350

Special brass models

310B, 340B, 350B

Sleeved models

310S, 340S, 350S

Specifications (*)

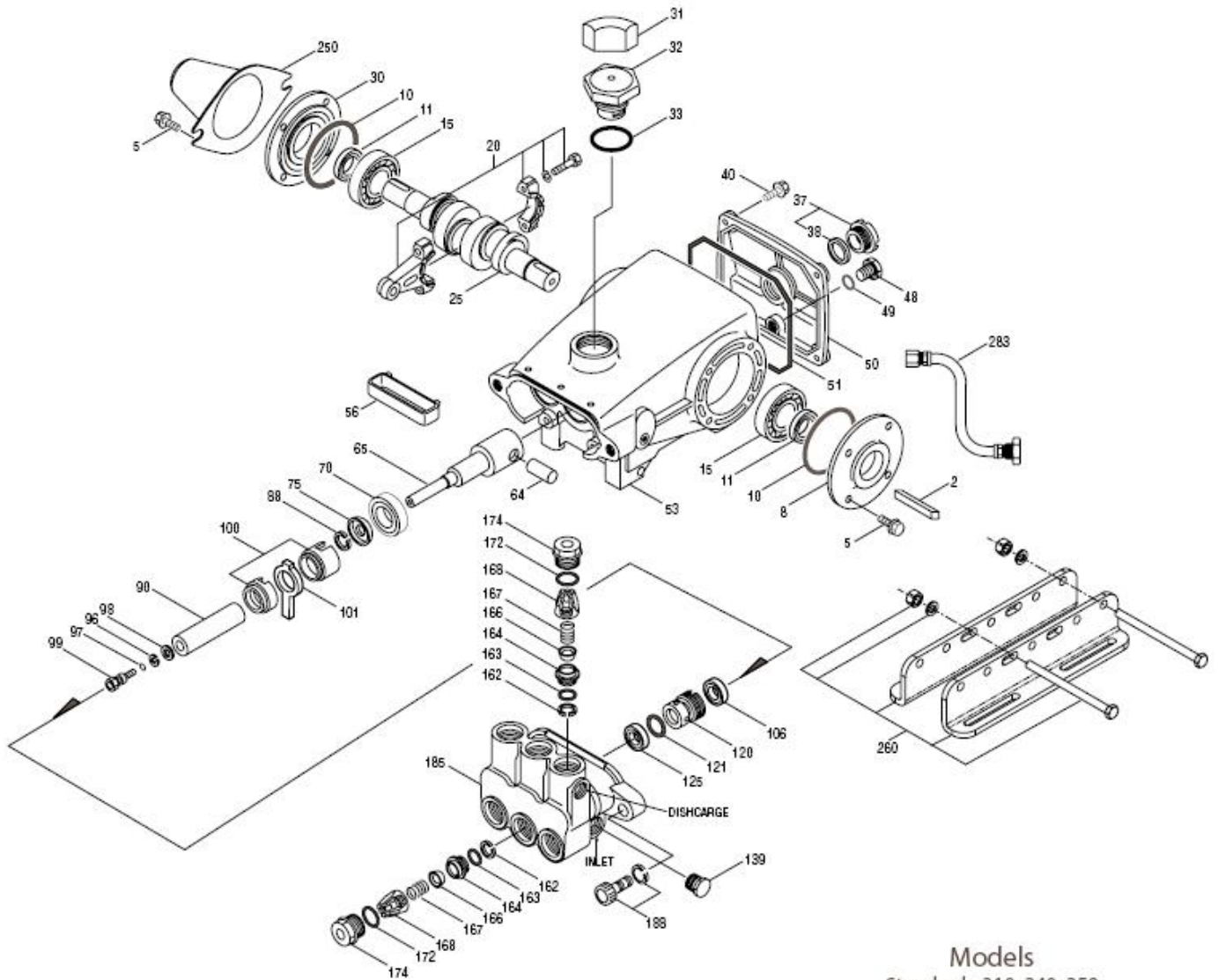
	310, 310B, 310S	340, 340B, 340S Direct drive	350, 350B, 350S Direct drive
Flow	15,5 l/min	13 l/min	15,5 l/min
Pressure range	7 to 150 bar	7 to 150 bar	7 to 150 bar
RPM	950 RPM	1420 RPM	1420 RPM
Inlet pressure range	-0,35 to 4 bar	Flooded to 4 bar	Flooded to 4 bar
Stroke	18 mm	10 mm	12 mm

Common specifications

Bore	20 mm
Crankcase capacity	0,55 l
Maximum liquid temperature	71° C
Inlet ports (2)	1/2" NPTF
Discharge ports (2)	3/8" NPTF
Shaft diameter	20 mm
Weight	9 kg
Dimensions	298 x 254 x 133 mm

(*) Abnormalities permitted only after consultation and written confirmation from Cat Pumps.

Exploded View



Models
 Standard - 310, 340, 350
 Special Brass - 310B, 340B, 350B
 Sleeved - 310S, 340S, 350S

Parts list

Item	Num.	Mat.	Description	Qty
2	30057	STL	Key (M6x6x25)	1
5	92519	STZP	Screw, HHC, sems (M6x16)	8
	125824	STCP R	Screw, HHC, sems (M6x16)	8
8	43344	AL	Cover, bearing	1/2
10	43343	NBR	O-ring, bearing cover – 70D	2
11	43222	NBR	Seal, oil, crankshaft (310,350-2) (340-1)	2/1
15	14480	STL	Bearing, ball	2
20	45883	HS	Rod, connecting assy {09/05}	3
25	43342	FCM	Crankshaft, dual end – M18 (310, 310B, 310S)	1
	44945	FCM	Crankshaft, single end – M10 (340, 340B, 340S)	1
	43838	FCM	Crankshaft, dual end – M12 (350, 350B, 350S)	1
30	44949	AL	Cover, blind shaft (340, 340B, 340S)	1
31	828710	-	Protector, oil cap w/foam gasket	1
32	43211	ABS	Cap, oil filler	1
33	14177	NBR	O-ring, filler cap – 70D	1
37	92241	-	Gauge, oil, bubble w/gasket	1
38	44428	NBR	Gasket, flat, oil gauge – 80D	1
40	92520	STZP	Screw, HHC, sems (M6x20)	4
	126541	STCP R	Screw, HHC, sems (M6x20)	4
48	25625	STCP	Plug, drain (1/4" x 19 BSP)	1
49	23170	NBR	O-ring, drain plug – 70D	1
50	48772	AL	Cover, rear {10/1} (see TB 090)	1
51	48773	NBR	O-ring, rear cover {10/1} (see TB 090)	1
53	48769	AL	Crankcase {05/02} (see TB 090)	1
56	43355	POP	Pan, oil	1
64	43351	CM	Pin, crosshead	3
65	43365	ZZCP	Rod, plunger	3
70	43228	NBR	Seal, oil, crankcase	3
75	43328	S	Slinger, barrier	3
88	45697	S	Washer, keyhole (M18)	3
90	43367	CC	Plunger (M20x72)	3
96	43235	PTFE	Back-up-ring, plunger retainer	3
97	17399	NBR	O-ring, plunger retainer – 80D	3
	14160	FPM	O-ring, plunger retainer – 80D	3
	# 46204	EPDM	O-ring, plunger retainer – 70D	3
98	45891	CU	Gasket	3
99	104360	S	Retainer, plunger w/stud	3
100	45688	PVDF	Retainer, seal (2pc) {04/06} (see TB 105)	3
101	43302	-	Wick, long tab	3
106	43305	NBR	Seal, LPS w/S-Spg	3
	45153	FPM	Seal, LPS w/SS-Spg	3
	# 48429	EPDM	Seal, LPS w/SS-Spg	3
	76305	ST	Seal, LPS w/S-Spg	3
120	45679	BB	Case, seal	3
121	14200	NBR	O-ring, seal case – 70D	3
	11719	FPM	O-ring, seal case	3
	# 48907	EPDM	O-ring, seal case	3
125	43307	SNG	Seal, HPS w/S	3
	44936	FPM	Seal, HPS w/SS	3
	46667	HT*	Seal, HPS 'Hi-temp', 2-pc w/S-support	3
139	22179	BBCP	Plug, inlet (1/2" NPT)	1
162	48361	D	Back-up-ring, seat	6

163	43358	NBR	O-ring, seat – 70D	6
	44938	<i>FPM</i>	<i>O-ring, seat – 70D</i>	6
	# 48908	<i>EPDM</i>	<i>O-ring, seat</i>	6
164	43725	S	Seat	6
166	43723	S	Valve	6
167	43750	S	Spring, valve	6
168	44565	PVDF	Retainer, valve spring	6
172	17615	NBR	O-ring, valve plug – 75D	6
	15855	<i>FPM</i>	<i>O-ring, valve plug – 70D</i>	6
	# 48431	<i>EPDM</i>	<i>O-ring, valve plug – 75D</i>	6
174	43849	BBCP	Plug, valve	6
185	44837	BBCP	Head, manifold (310, 340, 350)	1
	49721	SBCP	Head, manifold (310B, 340B, 350B)	1
	46278	BB	Head, manifold (310S, 340S, 350S)	1
188	126520	STCP R	Screw, HSH, sems (M10x35)	2
250	118672	STCP	Protector, shaft (belt drive only)	1
255	30243	STZP	Mount, direct (belt drive only)	1
260	30611	STZP	Mounting, angle rail (belt drive only)	1
265	30659	-	Mount, assy (incl. 30611 30633 118672) (belt drive only)	1
270	30633	STL	Assy, pulley & key (incl. 30058,30057) (belt drive only)	1
275	30944	STL	Assy, hub & key (incl. 30057, 30945) (belt drive only)	1
283	34334	-	Kit, oil drain (3/8"x24")(see individual datasheet)	1
	76334	-	Kit, oil indicator (3/8"x24") (see individual datasheet)	1
298	34962	STZP	Clutch assy, single groove, 20mm, 12VDC	1
	34963	STZP	Clutch assy, dual groove 20 mm, 12VDC	1
299	810027	BBCP	Head, complete (310, 340, 350)	1
	818471	SBCP	Head, complete (310B, 340B, 350B)	1
	816551	FBB	Head, complete (310S, 340S, 350S)	1
300	30623	NBR	Kit, seal (incl. 97,101,106,121,125)	1
	34155	<i>FPM</i>	<i>Kit, seal (incl. 97,101,106,121,125)</i>	1
	33623	HT	Kit, seal 'Hi Temp' (incl. 97,101,106,121,125)	1
	# 31163	<i>EPDM*</i>	<i>Kit, seal (incl. 97,101,106,121,125)</i>	1
310	30821	NBR	Kit, valve, preassembled (incl. 162-164,166-168,172)	2
	31821	<i>FPM</i>	<i>Kit, valve, preassembled (incl. 162-164,166-168,172)</i>	2
	# 31162	<i>EPDM</i>	<i>Kit, valve, preassembled (incl. 162-164,166-168,172)</i>	2
350	30696	STZP	Plier, Reverse	1
351	33004	STZP	Socket, seal case (1/2" drive)	1

Bold print part numbers are unique to a particular pump model. Italics are optional items.

Silicone oil/grease required. R Components comply with RoHS Directive.

{ } Date of latest production change. * Review individual parts in each kit for material code identification.

See 'Tech Bulletins' 002, 003, 008, 024, 027, 032, 035, 036, 043, 045, 046, 049, 052, 053, 054, 073, 074, 077, 079, 083, 090, 105 for additional information.

Material codes: (not part or part number)

ABS	ABS plastic	FBB	Forged brass	S	304SS
AL	Aluminium	FCM	Forged chrome-moly	SBCP	Special brass / chrome plated
BB	Brass	FPM	Fluorocarbon	SNG	Special blend (Buna)
BBCP	Brass/chrome plated	HS	High strength	STL	Steel
CC	Ceramic	HT	High Temp (EPDM alternative)	STCP	Steel/chrome plated
CM	Chrome-moly	NBR	Medium nitrile (Buna-N)	STZP	Steel/zinc plated
CU	Copper	POP	Polypropylene	ZZCP	Chrome plated/steel zamac
D	Acetal	PTFE	Pure polytetrafluorethylene		
EPDM	Ethylene propyl. diene mon.	PVDF	Polyvinylidene fluoride		